

Combination Microwave Oven, 24"

Series 5 | Contemporary

Stainless Steel

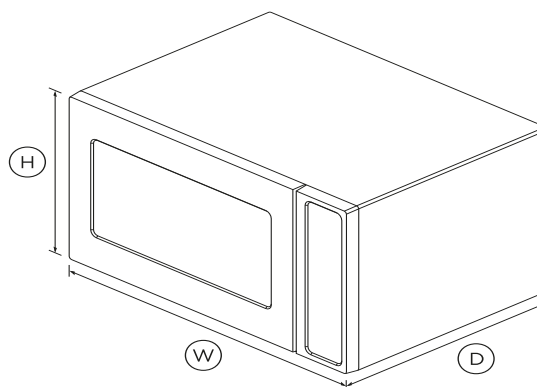


A flexible appliance that pairs the speed of microwave cooking with oven technology, which can crisp and brown as it cooks.

- 1.5 cu ft total capacity
- 12 cooking modes including Defrost, Popcorn and Reheat
- Use the 30" Microwave trim kit to integrate this microwave with your cabinetry
- Part of our suite of companion products, designed to match aesthetically for flexible configurations

DIMENSIONS

Height	14 ⁷ / ₈ "
Width	24 ⁵ / ₈ "
Depth	19 "



Product dimensions

Depth	19 "
Height	14 ⁷ / ₈ "
Width	24 ⁵ / ₈ "

SKU 70997

The product dimensions and specifications in this page apply to the specific product and model. Under our policy of continuous improvement, these dimensions and specifications may change at any time. You should therefore check with Fisher & Paykel's Customer Care Centre to ensure this page correctly describes the model currently available. Â© Fisher & Paykel Appliances Ltd 2019.

SPECIFICATIONS

Capacity

Total capacity 1.5cu ft

Functions

Popcorn •

Power requirements

Supply frequency 60Hz

Supply voltage 120 - 240V

Other product downloads available at fisherpaykel.com



User Guide



Service & Warranty Booklet



Guide D'Utilisation



Installation Guide



Guide D'Installation



Resources (zip)



A PEACE OF MIND SALE

24 Hours 7 Days a Week Customer Support

T 1300 650 590 W www.fisherpaykel.com