

Wall Range Hood, 36", Box Chimney

Series 7 | contemporary

Stainless Steel and Glass

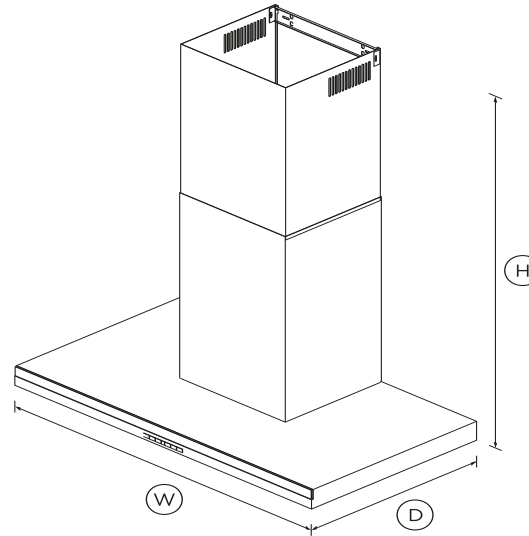


The wall chimney range hood has contemporary styling, extracting steam, grease and cooking odors quietly and efficiently.

- With four fan speeds, select the perfect extraction rate for your cooking
- Energy-efficient LED lighting to illuminate your cooking surface
- Powerful 600CFM maximum airflow

DIMENSIONS

| | |
|--------|--|
| Height | 23 ³ / ₄ - 41 ¹ / ₁₆ " |
| Width | 35 ³ / ₈ " |
| Depth | 19 ¹¹ / ₁₆ " |



FEATURES & BENEFITS

Quiet and effective

This vent hood features four fan speeds providing powerful extraction to quickly remove odours and steam. As odors can linger in the kitchen well after cooking is finished, the timer keeps the vent hood working for up to 15 minutes before automatically turning off.

SPECIFICATIONS

Accessories

| | |
|-----------------------------|--------|
| Chimney extension | 791774 |
| Light bulb | 792579 |
| Recirculation carbon filter | 791772 |
| Recirculation diverter | 792580 |

Fan ratings

| | |
|----------------------|-------|
| Maximum sound rating | 67dBA |
| Speed 3 sound rating | 63dBA |

Installation and cleaning

| | |
|------------------------------|---------------------------|
| Air outlet size | 6" |
| Dishwasher safe filters | 3 |
| Ducted | Top extraction |
| Recirculation | Optional - top extraction |
| Stainless steel filter cover | • |
| Two piece height adjustable | • |

Performance

| | |
|-------------------|---------|
| Extraction type | Surface |
| Fan speeds | 4 |
| Filter type | Mesh |
| Number of filters | 3 |

Power requirements

| | |
|------------------|------|
| Rated current | 5.2A |
| Supply frequency | 60Hz |
| Supply voltage | 120V |
| Total Power | 542 |

Product dimensions

| | |
|--------|--|
| Depth | 19 ¹¹ / ₁₆ " |
| Height | 23 ³ / ₄ - 41 ¹ / ₁₆ " |
| Width | 35 ³ / ₈ " |

Product information

| | |
|--------------|------------|
| Control type | Soft-touch |
|--------------|------------|

Ventilation features

| | |
|----------------|------------|
| Light type | LED 2 x 6W |
| Timer function | • |

Warranty

| | |
|-----------------|-----------------------|
| Parts and labor | 2 years parts & labor |
|-----------------|-----------------------|

| | |
|-----|-------|
| SKU | 50084 |
|-----|-------|

**A PEACE OF MIND SALE****24 Hours 7 Days a Week Customer Support****T 1300 650 590 W www.fisherpaykel.com**

The product dimensions and specifications in this page apply to the specific product and model. Under our policy of continuous improvement, these dimensions and specifications may change at any time. You should therefore check with Fisher & Paykel's Customer Care Centre to ensure this page correctly describes the model currently available. Â© Fisher & Paykel Appliances Ltd 2019.